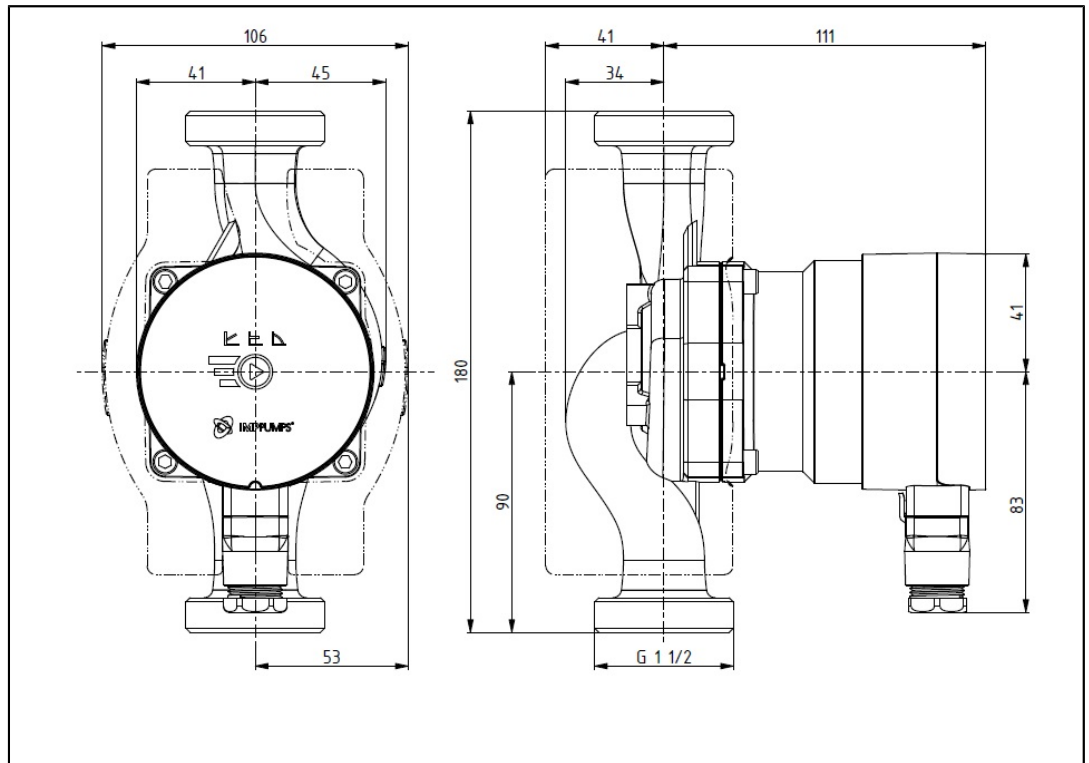
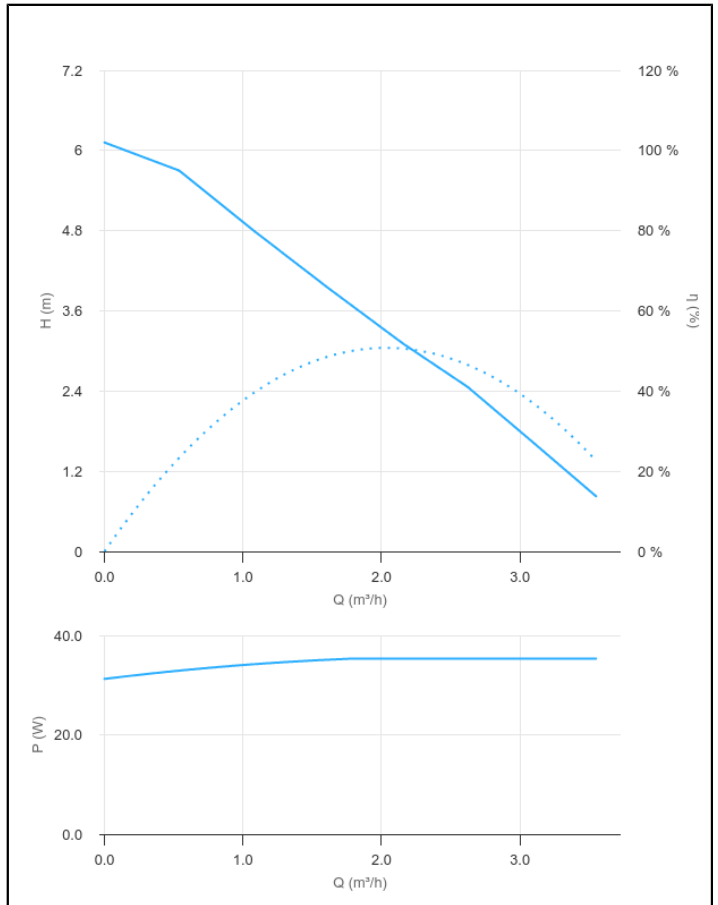




General data	
Title	NMT MINI 25/60-180
Code	979525371
EAN13	3831008379020
Technical data	
Flow max	4 m ³ /h
Head max	6,1 m
Port-to-port length	180 mm
Pipe connection	DN 25
Ambient temp. range	0 ÷ 40 °C
Medium temp.	-10 ÷ 110 °C
Pressure rating of the pipe connection	PN10
Electrical data	
Supply voltage	1~230 V
Mains frequency	50/60 Hz
Connection power	35 W
Max revolutions	4800 RPM
Current max	0,32 A
Materials and installation	
Seal type	/
Bearing	carbon
Impeller	Noryl Fe 1630PW
Hydraulics	Cast iron
Shaft	AISI 420
Pipeline material	0
Net weight	1.73 kg



NMT Mini

